

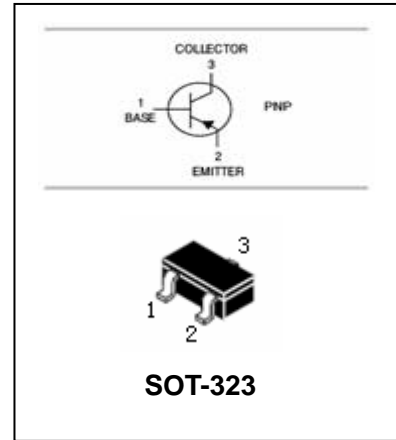


PNP Silicon Epitaxial Planar Transistor

MMSTA55/MMSTA56

FEATURES

- Power dissipation.($P_C=200mW$).
- Epitaxial planar die construction.
- Also available in lead free version.



APPLICATIONS

- General purpose application and switching application.

ORDERING INFORMATION

Type No.	Marking	Package Code
MMSTA55	K2H	SOT-323
MMSTA56	K2G	SOT-323

MAXIMUM RATING @ $T_a=25^\circ C$ unless otherwise specified

Symbol	Parameter	Value	Units
V_{CBO}	Collector-Base Voltage MMSTA55 MMSTA56	-60 -80	V
V_{CEO}	Collector-Emitter Voltage MMSTA55 MMSTA56	-60 -80	V
V_{EBO}	Emitter-Base Voltage MMSTA55 MMSTA56	-4	V
I_C	Collector Current -Continuous	-500	mA
P_C	Collector Dissipation	200	mW
T_j, T_{stg}	Junction and Storage Temperature	-55 to +150	$^\circ C$



PNP Silicon Epitaxial Planar Transistor **MMSTA55/MMSTA56**

ELECTRICAL CHARACTERISTICS @ Ta=25°C unless otherwise specified

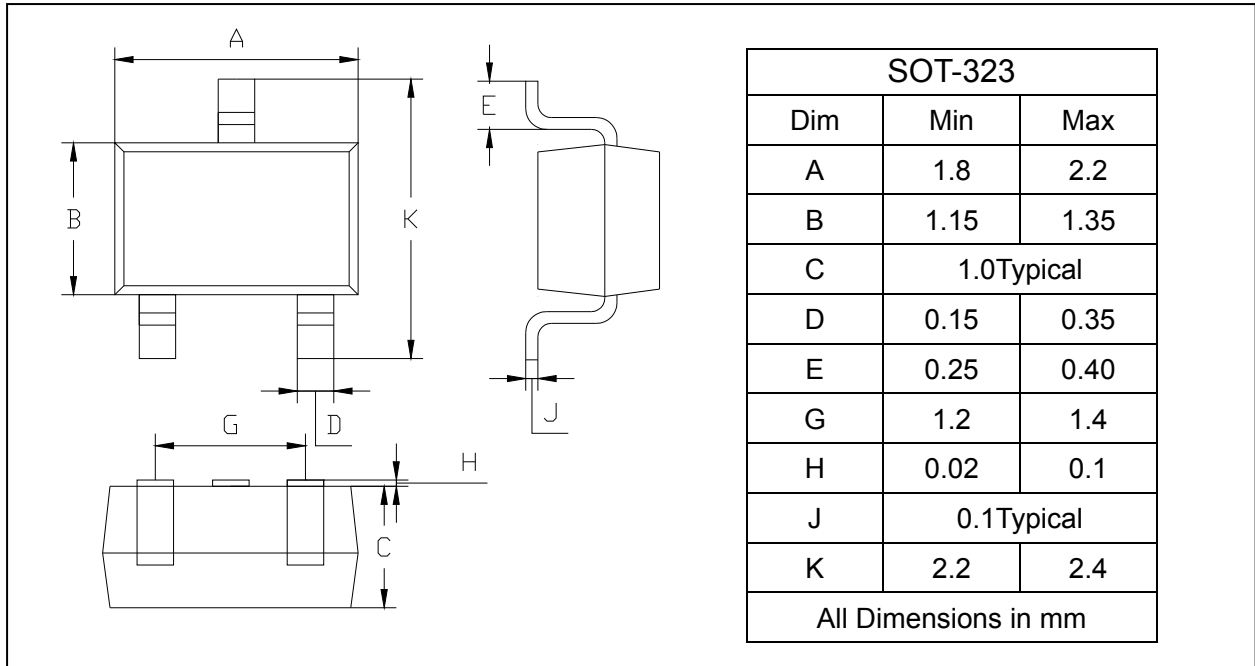
Parameter	Symbol	Test conditions	MIN	TYP	MAX	UNIT
Collector-base breakdown voltage	$V_{(BR)CBO}$	$I_C = -100\mu A, I_E = 0$ MMSTA55 MMSTA56	-60 -80			V
Collector-emitter breakdown voltage	$V_{(BR)CEO}$	$I_C = -1mA, I_B = 0$ MMSTA55 MMSTA56	-60 -80			V
Emitter-base breakdown voltage	$V_{(BR)EBO}$	$I_E = -100\mu A, I_C = 0$	-4			V
Collector cut-off current	I_{CBO}	$V_{CB} = -60V, I_E = 0$ MMSTA55 $V_{CB} = -80V, I_E = 0$ MMSTA56			-0.1 -0.1	μA
Collector cut-off current	I_{CEO}	$V_{CE} = -50V, I_B = 0$ MMSTA55 $V_{CE} = -60V, I_B = 0$ MMSTA56			-0.1 -0.1	μA
DC current gain	h_{FE}	$V_{CE} = -1V, I_C = -10mA$ $V_{CE} = -1V, I_C = -100mA$	100 100			
Collector-emitter saturation voltage	$V_{CE(sat)}$	$I_C = -100mA, I_B = -10mA$			-0.25	V
Base-emitter on voltage	$V_{BE(on)}$	$V_{CE} = -1V, I_C = -100mA$			-1.2	V
Transition frequency	f_T	$V_{CE} = -1V, I_C = -100mA,$ $f = 100MHz$	50			MHz

PNP Silicon Epitaxial Planar Transistor MMSTA55/MMSTA56

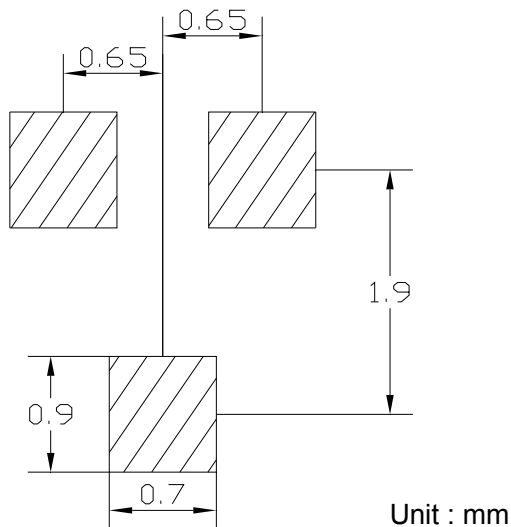
PACKAGE OUTLINE

Plastic surface mounted package

SOT-323



SOLDERING FOOTPRINT



PACKAGE INFORMATION

Device	Package	Shipping
MMSTA55/MMSTA56	SOT-323	3000/Tape&Reel